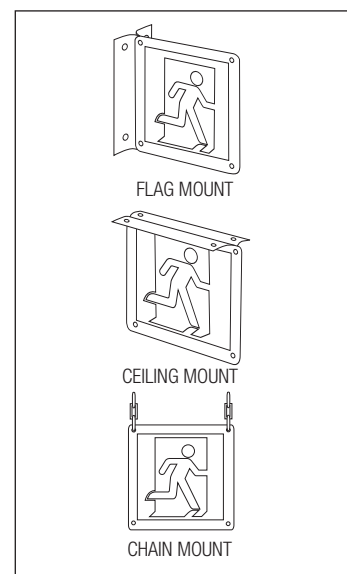




SIGN FLAT ON WALL



Ecoglo "Pictogram Uni" S20 Signs are designed to be used in and about buildings to identify escape routes for compliance with performance based building codes. The signs will be clearly visible and readily understandable under all conditions of foreseeable use, including emergency conditions.

SIGN DEFINITION

Exit straight on from here.

COMPLIANCE

Ecoglo S20 signs have been independently tested in accordance with UL924 for use in Performance Solutions to meet the performance requirements of building codes such as NFPA 101 Life Safety Code, International Fire Code (IFC), Building Code of Australia (BCA) and any other performance based building codes. Ecoglo S20 "Pictogram Uni" signs meet the visibility requirements of UL 1994 for compliance with NFPA 101 and IFC.

PERFORMANCE

30 Minutes Visibility Facilities

Minimum charging illuminance of 55 lux for 10 minutes will ensure minimum luminance of 30 mcd for 30 minutes after failure of the main lighting.

90 Minutes Visibility Facilities

Minimum charging illuminance of 200 lux for 10 minutes will ensure minimum luminance of 30 mcd for 90 minutes after failure of the main lighting.

120 Minutes Visibility Facilities

Minimum charging illuminance of 300 lux for 10 minutes will ensure minimum luminance of 30 mcd for 120 minutes after failure of the main lighting.

Daily exposure to daylight will substantially reduce the minimum charging requirements specified above.

Operating Temperature Range: -20°C to +40°C*

* For controlled environment (constant temperature) rooms below 0°C contact Ecoglo.

UV Resistance - Loss of luminance after 1000 hrs ASTM G-155 Cycle 1 exposure: <10%

Salt Spray Resistance – ASTM B117: Pass

Washability – ASTM D4828: Pass

Rate of Burning – ASTM D635: Pass

Surface Flammability - ASTM E162: Pass

Toxicity - Bombardier Toxic Gas Generation Test SMP800-C: Pass

Radioactivity - ASTM D3648: Pass

High Temperature Curing: Pass

SUPPLY

The product is available in 2 sizes - maximum viewing distance 16 metres and maximum viewing distance 24 metres.

PRODUCT CODE	PRODUCT NAME	SIGN DEFINITION	SIGN SIZE	MAXIMUM VIEWING DISTANCE
S20-RM1616UN-16m	Pictogram Uni	Exit straight on from here	162mm x 162mm	16 metres
S20-RM2323UN-24m	Pictogram Uni	Exit straight on from here	230mm x 230mm	24 metres

COMPOSITION

The high visibility flat panel is manufactured from 5005 0.9mm aluminium sheet. Custom made photoluminescent pigments are embedded in thermoset polyester carriers to integrally bond the active ingredients onto the aluminium sheet following curing at high temperature.



INSTALLATION

The standard sign is supplied with fixers for mounting flat on a wall. *Signs with brackets for ceiling or flag mounting are available - see order codes for signs and brackets below.*

PRODUCT CODE	PRODUCT NAME	CEILING MOUNT BRACKET	FLAG MOUNT BRACKET
S20-RM1616UN-16m	Pictogram Uni	BR1-162	BR1-162
S20-RM2323UN-24m	Pictogram Uni	BR1-230	BR1-230

Chain suspension is also available.

Contact

Ecoglo International Limited

Email: info@ecoglo.com Web: www.ecoglo.com