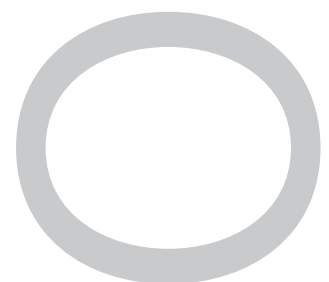
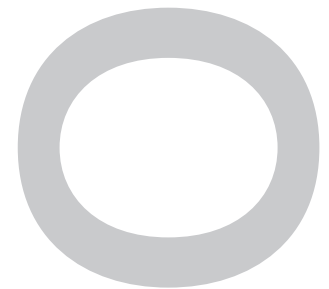


Installation Instructions For

Hybrid PL Exit Sign

Ceiling and Surface Mounted HYU1.2



Important Safeguards



When using electrical equipment, basic safety precautions should always be followed including the following:

READ AND FOLLOW ALL SAFETY INSTRUCTIONS



Disconnect power before performing work on electrical equipment.



WARNING: All terminals are unsafe to touch. Every part of the circuit is directly connected to the 230Vac electrical supply. The circuit must be operated with all of its protective coverings in place. Only access terminals when the electrical supply is isolated.



Do not use in locations that are fully exposed to rain.



Do not mount near gas or electric heaters.



Equipment should be mounted in locations and at heights (outside arm's reach) where it will not be subjected to tampering by unauthorized personnel.



The use of accessory equipment is not recommended by Ecoglo as it may pose a safety hazard.

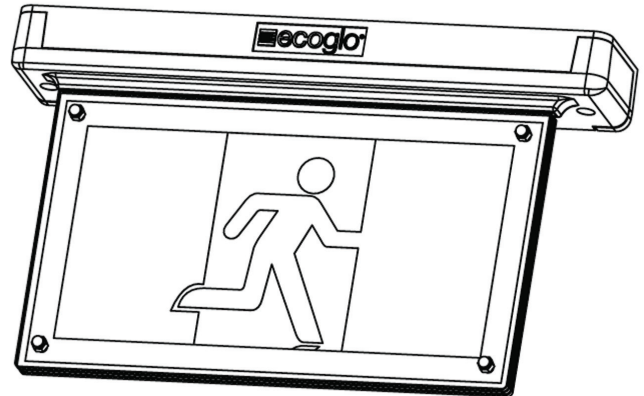


Do not use this equipment for any purpose other than its intended use.

SAVE THESE INSTRUCTIONS

The Ecoglo Hybrid electrical Exit Signs shall have (unswitched) electricity supplied from the lighting circuit supplying general lighting in the area concerned. Circuit breakers for the relevant lighting circuits shall be labeled "Emergency Exit Sign - Do not isolate"

Ecoglo recommends that the electrical supply to the hybrid signs is NOT disconnected by any emergency lighting "test" switch as this can cause confusion during system inspection.



Hybrid Exit Sign Specification

Input: 230/240 VAC 50/60Hz

Current: 14mA

Rated power consumption: 0.5W

Maximum ambient temperature (Ta): 40°C

Protection: IP44 (Indoor and sheltered outdoor locations)

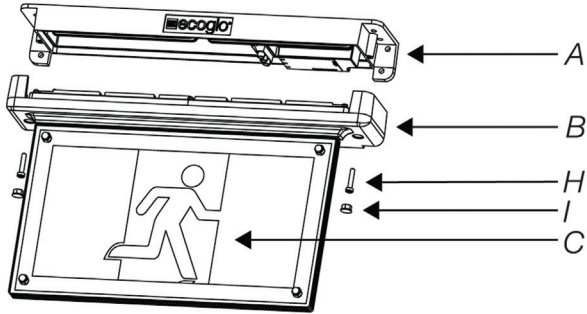
MAINTENANCE

- To ensure ongoing compliance with the relevant building code, the signs should undergo a six-monthly inspection, with written records kept. The inspection should confirm that the signs are in the correct location, clearly legible, and illuminated. Signs must be replaced before they become illegible, and replaced immediately should they be missing.
- **CAUTION:** Always turn off AC power before servicing. The servicing of any parts should be performed by qualified service personnel. The use of replacement parts not supplied by Ecoglo may cause equipment failure and will void the warranty.
- **NOTE:** The light source contained in this luminaire is not replaceable; when the light source reaches its end of life the whole luminaire shall be replaced.

Check all Parts are Present

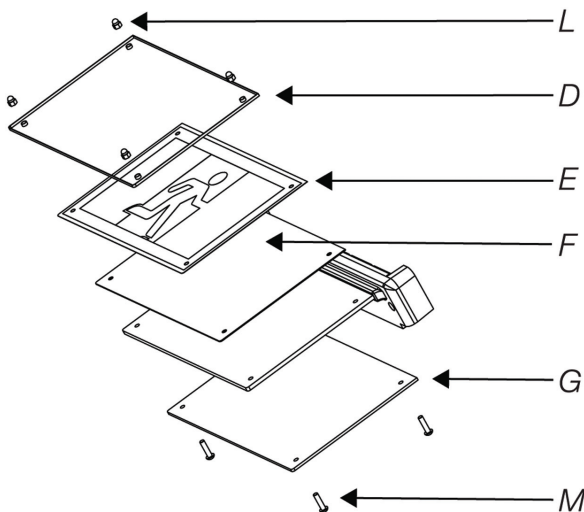
Please contact Ecoglo if parts are missing or damaged.

Overview



PART	DESCRIPTION	QTY
A	Canopy	1
B	Blade Holder	1
C	Sign Blade	1
H	M4x20 Plastite Screw	2
I	Blank Caps	2
J	8Gx50 Self Tap Screw	4
K	8Gx32 Nylon Wall Plug	4

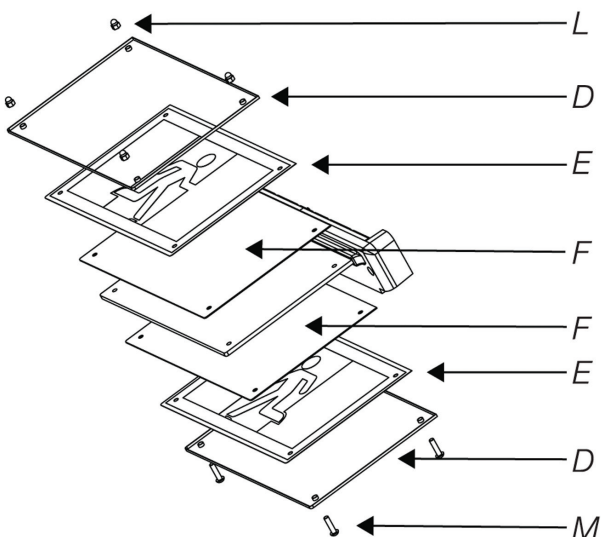
HYU1.2 Blade Assembly



PART	DESCRIPTION	QTY
L	M5 Dome Nut	4
D	Clear Acrylic Front Plate	1
E	Directional Graphic 1x RM (Pictoram Straight) 1x RML (Pictogram Left) 1x RMR (PictogramRight)	3
F	Photoluminescent Sheet	1
G	White Backing Plate	1
M	M5x16 Bolt	4

Note: Tighten dome and nut finger tight only

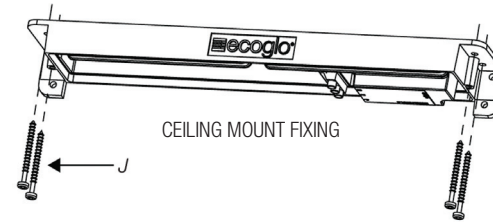
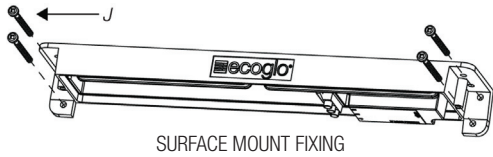
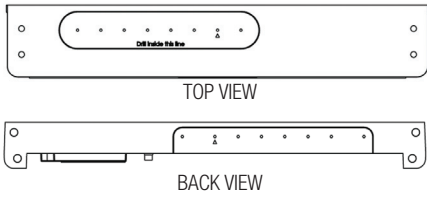
HYU2.2 Blade Assembly



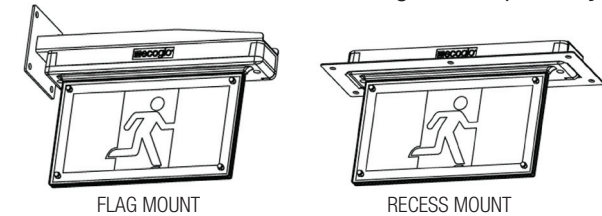
PART	DESCRIPTION	QTY
L	M5 Dome Nut	4
D	Clear Acrylic Front Plate	2
E	Directional Graphic 2x RM (Pictoram Straight) 1x RML (Pictogram Left) 1x RMR (PictogramRight)	4
F	Photoluminescent Sheet	2
M	M5x20 Bolt	4

Note: Tighten dome and nut finger tight only

Canopy Installation

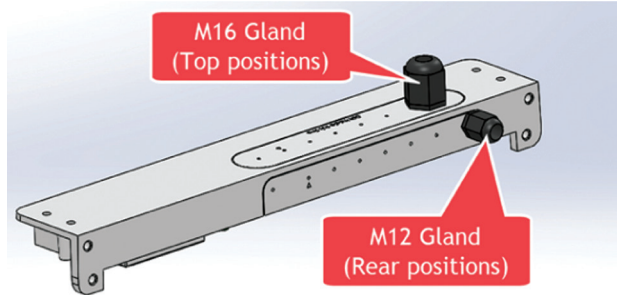


Brackets for alternative mounting sold separately

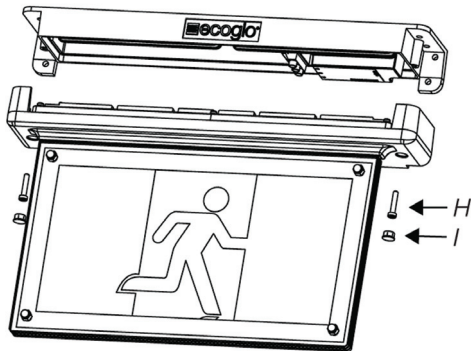


- Determine the appropriate location for the power cable to enter the canopy.
- Remove necessary material from the canopy but stay inside the pre-formed markings
- Pull cable into the canopy and check fitment on the wall
- Optionally, the cable could be connected to the terminal block now.
- Ideally the canopy will be fixed to the wall studs but if that is not an option then nylon wall plugs into drywall or concrete may be used.
- Ensure fixers are used in all all 4 mounting points.
- Connect cable to the terminal block now if not already connected.

Suggested entry locations for glands or conduit

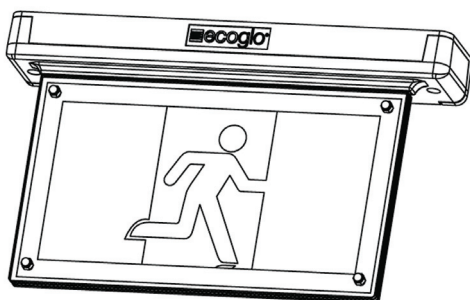


Attaching the Blade Assembly to the Canopy



- Check the correct artwork is fitted within the sign blade.
- If change is required then disassemble the blade with 4 corner fasteners.
- Reassemble sign blade.
- Gently fit blade holder into the sign canopy. The blade holder will only fit in one direction.
- Fix screws to fasten blade holder and canopy together.
- Insert blanking caps into screw holes.
- Remove protective film from acrylic front panel.

Checking the Operation of the Sign Once Installed



- Check that the whole sign face is illuminated when the electrical supply is connected.
- There is no need to disconnect the electrical supply: the sign does not contain batteries or a battery charging circuit. Instead, the photoluminescent material ensures the sign remains visible in all conditions, should the supply to main lighting fail.
- Note that if the electrical supply is disconnected the 'glow' may not be apparent in a well lit environment. However, the sign will still be clearly visible, and the sign will clearly glow when viewed in dark conditions.